



RX 20 Technical Data Electric Forklift Truck

[RX 20-14](#)

[RX 20-15](#)

[RX 20-16](#)

[RX 20-18](#)

[RX 20-20](#)



RX 20 Electric Forklift Truck
Continuous operation

This specification sheet, which conforms to VDI guideline 2198, provides the technical values for the standard equipment only.
Different tyres, other masts, the use of accessories, etc. may result in other values.



		STILL	STILL	STILL	STILL	STILL	STILL	STILL	STILL	STILL	STILL		
Distinguishing marks	1.1	Manufacturer											
	1.2	Manufacturer's type designation	RX 20-14	RX 20-15	RX 20-16	RX 20-16 P	RX 20-18	RX 20-18P/h	RX 20-20	RX 20-20 P	RX 20-20 P/h		
	1.2.1	Manufacturer model number	6209	6210	6211	6212	6213	6214	6215	6216	6217		
	1.3	Drive	Electric	Electric	Electric	Electric	Electric	Electric	Electric	Electric	Electric		
	1.4	Operation	Seated	Seated	Seated	Seated	Seated	Seated	Seated	Seated	Seated		
	1.5	Nominal load capacity/load	Q	kg	1400	1500	1600	1800	1800	2000	2000	2000	
	1.6	Load centre distance	c	mm	500	500	500	500	500	500	500	500	
	1.8	Load spacing	x	mm	355	355	355	355	355	365	365	365	
	1.9	Wheel base	y	mm	1341	1341	1341	1410	1441	1448	1540	1469	1448
Weights	2.1	Empty weight (incl. battery)		kg	2736	2763	2884	2916	3044	3343	3212	3225	3453
	2.2	Axle weight with front load		kg	3577	3758	3933	3915	4288	4442	4667	4633	4888
	2.2	Axle weight with rear load		kg	559	505	550	602	556	701	545	592	565
	2.3	Axle weight without front load		kg	1294	1302	1314	1345	1421	1580	1544	1455	1693
	2.3	Axle weight without rear load		kg	1442	1461	1570	1571	1623	1763	1668	1770	1760
Tyres chassis	3.1	Tyres			Superelastic	Superelastic	Superelastic	Superelastic	Superelastic	Superelastic	Superelastic	Superelastic	
	3.2	Tyre size, front		mm	180/70-8 (18 x 7-8)	180/70-8 (18 x 7-8)	180/70-8 (18 x 7-8)	180/70-8 (18 x 7-8)	200/50-10	200/50-10	200/50-10	200/50-10	200/50-10
	3.3	Tyre size, rear		mm	125/75-8 (15 x 4 1/2 -8)	125/75-8 (15 x 4 1/2 -8)	125/75-8 (15 x 4 1/2 -8)	150/75-8 (16 x 6-8)	125/75-8 (15 x 4 1/2 -8)	150/75-8 (16 x 6-8)	125/75-8 (15 x 4 1/2 -8)	150/75-8 (16 x 6-8)	150/75-8 (16 x 6-8)
	3.5	Wheels, number, front (x = driven)			2x	2x	2x	2x	2x	2x	2x	2x	2x
	3.5	Wheels, number, rear (x = driven)			2	2	2	2	2	2	2	2	2
	3.6	Track width, front	b ₁₀	mm	932	932	932	932	942	942	942	942	942
	3.7	Track width, rear	b ₁₁	mm	168	168	168	865	168	865	168	865	865
Basic dimensions	4.1	Angle of mast/fork carriage, front	α	°	5	5	5	5	5	5	5	5	5
	4.1	Angle of mast/fork carriage, back	β	°	6	6	6	6	6	6	6	6	6
	4.2	Height of mast when retracted	h ₁	mm	2160	2160	2160	2160	2160	2160	2160	2160	2160
	4.3	Free lift	h ₂	mm	150	150	150	150	150	150	150	150	150
	4.4	Lift*	h ₃	mm	3230	3230	3230	3230	3230	3230	3150	3150	3150
	4.5	Height of mast when extended	h ₄	mm	3805	3805	3805	3805	3805	3805	3805	3805	3805
	4.7	Height above protected roof (cabin)	h ₆	mm	2082	2082	2082	2084	2082	2240	2082	2082	2240
	4.8	Seat height in terms of SIP	h ₇	mm	1015	1015	1015	1015	1015	1173	1015	1015	1173
	4.12	Coupling height	h ₁₀	mm	490	490	490	460	490	460	490	460	460
	4.19	Total length	l ₁	mm	2683	2683	2683	2861	2783	2908	2892	2930	2918
	4.20	Length including fork backs	l ₂	mm	1883	1883	1883	2061	1983	2108	2092	2130	2118
	4.21	Total width	b ₁	mm	1099	1099	1099	1099	1138	1138	1138	1138	1138
	4.22	Depth of prongs	s	mm	40	40	40	40	40	40	40	40	40
	4.22	Width of prongs	e	mm	80	80	80	80	80	80	80	80	80
	4.22	Length of prongs	l	mm	800	800	800	800	800	800	800	800	800
	4.23	Fork carriage ISO 2328, class/form A, B			ISO II/A	ISO II/A	ISO II/A	ISO II/A	ISO II/A	ISO II/A	ISO II/A	ISO II/A	ISO II/A
	4.24	Fork carriage width	b ₃	mm	980	980	980	980	980	980	980	980	980
	4.31	Ground clearance under mast	m ₁	mm	90	90	90	90	90	90	90	90	90
	4.32	Ground clearance centre wheel base	m ₂	mm	123	123	123	123	123	123	123	123	123
	4.34.1	Working aisle width with pallet 1000 x 1200 crossways	A _{xt}	mm	3209	3209	3209	3408	3309	3439	3418	3473	3449
	4.34.2	Working aisle width with pallet 800 x 1200 lengthways	A _{st}	mm	3333	3333	3333	3607	3433	3638	3542	3672	3648
	4.35	Turning radius	W _a	mm	1528	1528	1528	1852	1628	1883	1727	1907	1883
	4.36	Smallest pivoting distance	b ₁₃	mm	-	-	-	533.0	-	538.5	-	541.0	538.5
Performance data	5.1	Driving speed with load (Blue-Q/normal/sprint)		km/h	16/16/20	16/16/20	16/16/20	16/16/20	16/16/20	16/16/20	16/16/20	16/16/20	16/16/20
	5.1	Driving speed without load (Blue-Q/normal/sprint)		km/h	16/16/20	16/16/20	16/16/20	16/16/20	16/16/20	16/16/20	16/16/20	16/16/20	16/16/20
	5.2	Lifting speed with load (Blue-Q/normal/sprint)		m/s	0.43/0.43/0.56	0.43/0.43/0.55	0.43/0.43/0.55	0.43/0.43/0.55	0.42/0.42/0.50	0.42/0.42/0.50	0.38/0.38/0.44	0.38/0.38/0.44	0.38/0.38/0.44
	5.2	Lifting speed without load (Blue-Q/normal/sprint)		m/s	0.55/0.55/0.60	0.55/0.55/0.60	0.55/0.55/0.60	0.55/0.55/0.60	0.53/0.53/0.58	0.53/0.53/0.58	0.48/0.48/0.55	0.48/0.48/0.55	0.48/0.48/0.55
	5.3	Lowering speed with load		m/s	0.51	0.51	0.51	0.51	0.52	0.52	0.53	0.53	0.53
	5.3	Lowering speed without load		m/s	0.47	0.47	0.47	0.47	0.48	0.48	0.49	0.49	0.49
	5.5	Drawbar pull with load		N	4500	4500	4500	4500	4300	4200	4200	4200	4200
	5.5	Drawbar pull without load		N	4600	4600	4500	4500	4500	4500	4500	4400	942
	5.6	Max. drawbar pull with load		N	12200	12200	12200	12200	11900	11900	11900	11900	11800
	5.6	Max. drawbar pull without load		N	7400	7500	7600	7800	8300	9300	9400	8900	10300
Electric engine	5.7	Gradeability with load		%	13.5	12.8	12.8	12.7	11.4	10.7	10.5	10.5	10.0
	5.7	Gradeability without load		%	20.1	20.1	20.1	19.9	19.0	18.1	17.9	17.8	16.5
	5.8	Max. gradeability with load		%	28.5	28.5	27.4	27.2	24.6	23.0	22.0	22.4	21.4
	5.8	Max. gradeability without load		%	23.0	26.5	26.6	26.6	26.7	27.1	27.0	26.5	26.5
	5.9	Acceleration time with load (Blue-Q/normal/sprint)		s	4.3/4.1/4.1	4.3/4.1/4.1	4.3/4.1/4.1	4.3/4.1/4.1	4.5/4.2/4.2	4.5/4.3/4.3	4.6/4.3/4.3	4.6/4.3/4.3	4.7/4.4/4.4
	5.9	Acceleration time without load (Blue-Q/normal/sprint)		s	4.2/4.0/4.0	4.2/4.0/4.0	4.2/4.0/4.0	4.2/4.0/4.0	4.2/4.0/4.0	4.3/4.1/4.1	4.3/4.1/4.1	4.3/4.1/4.1	4.5/4.2/4.2
	5.10	Service brake			Electric/mechanical	Electric/mechanical	Electric/mechanical	Electric/mechanical	Electric/mechanical	Electric/mechanical	Electric/mechanical	Electric/mechanical	Electric/mechanical
	6.1	Drive motor, output with S2 60 min		kW	2 x 4.5	2 x 4.5	2 x 4.5	2 x 4.5	2 x 4.5	2 x 4.5	2 x 4.5	2 x 4.5	2 x 4.5
	6.2	Lifting motor, output with S3 15%		kW	9	9	9	9	9	9	9	9	9
	6.3	Battery according to DIN 43531/35/36 A, B, C, no			DIN 43531 B	DIN 43531 B	DIN 43531 B	DIN 43531 B	DIN 43531 B	DIN 43531 B	DIN 43531 B	DIN 43531 B	DIN 43531 B
Misc.	6.4	Battery voltage	U	V	48	48	48	48	48	48	48	48	
	6.4.1	Battery capacity K _s		Ah	575 (-625)	575 (-625)	575 (-625)	575 (-625)	575 (-625)	700 (-800)	575 (-625)	575 (-625)	700 (-800)
	6.5	Battery weight		kg	856	856	856	856	856	1119	856	856	1119
	6.6	Energy consumption 60 VDI combustion cycles/hour		kWh/h	4.2	4.3	4.4	4.4	4.7	5.2	5.0	5.0	5.4
	10.1	Working pressure for accessory equipment		bar	250	250	250	250	250	250	250	250	250
	10.2	Oil volume for accessory equipment		l/min	30	30	30	30	30	30	30	30	30
	10.7	Sound pressure level L _{pA2} (operator's position)**		dB (A)	<70	<70	<70	<70	<70	<70	<70	<70	<70
	10.8	Human vibrations: acceleration in accordance with EN13059		m/s ²	<0.7	<0.7	<0.7	<0.7	<0.7	<0.7	<0.7	<0.7	<0.7
10.8	Trailer coupling, item/DIN type			Bolt	Bolt	Bolt	Bolt	Bolt	Bolt	Bolt	Bolt	Bolt	

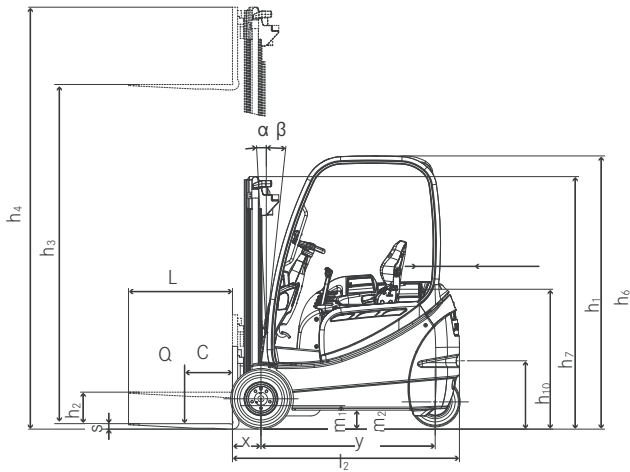
* The specified rated lift takes into consideration the tyre deflection and the tolerances of the tyre diameter.

** Without cab. Different values with cab.

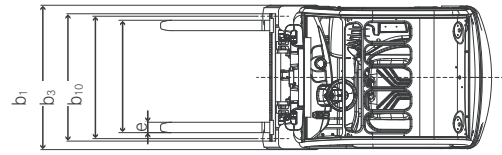
*** Not allowing for the overhanging prongs.

RX 20 Electric Forklift Truck

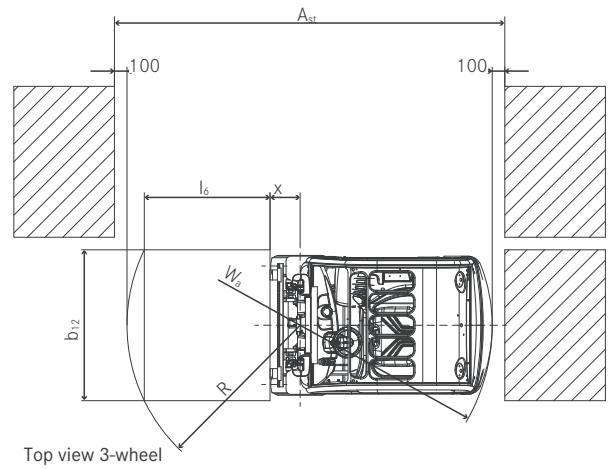
Technical Drawings



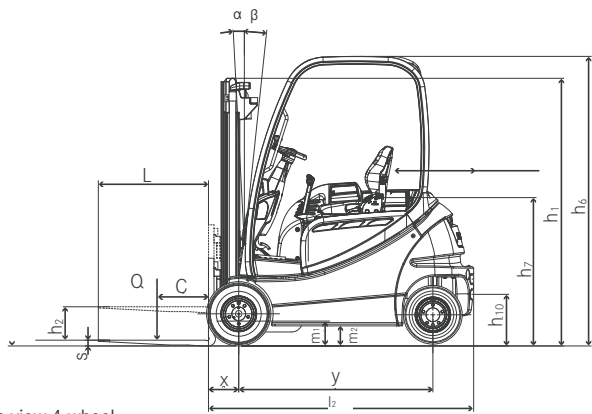
Side view 3-wheel



Top view 3-wheel

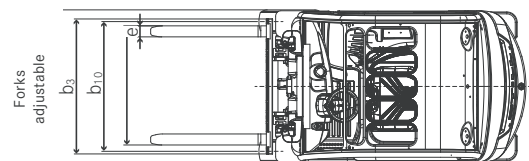


Top view 3-wheel

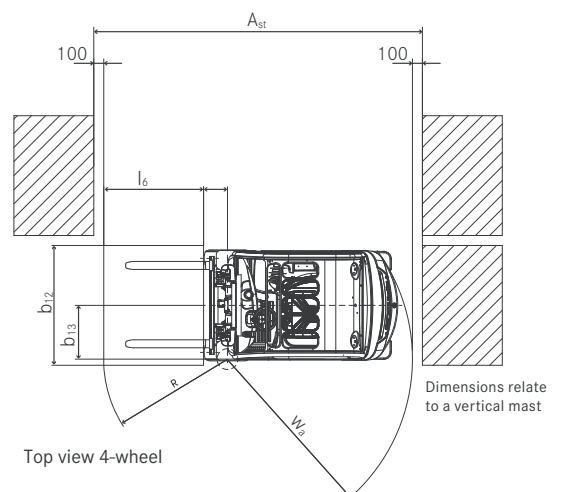


Side view 4-wheel

Seat adjustable ± 90



Top view 4-wheel



Top view 4-wheel

— Fork carrier - - - - - Fitted lateral slider

RX 20 Electric Forklift Truck
Mast Table

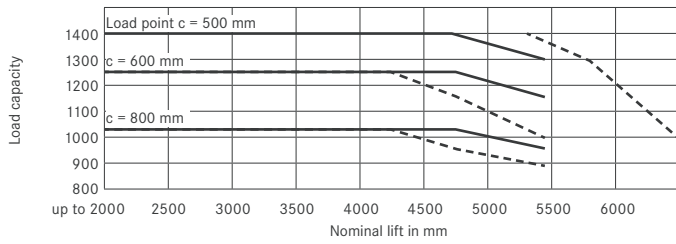


				Telescopic mast		NiHo mast	Triplex mast		
RX 20-14/15/16	Nominal lift	h_3	mm	2830-4230	4730-5430	2975-3975	4320-5220	5620-7870	
	Overall height	h_1	mm	1960-2660	2910-3260	1960-2460	1960-2260	2460-3210	
	Free lift	h_2/h_5	mm	150	150	1362-1862	1362-1662	1862-2612	
	Maximum height	h_4	mm	3473-4873	5273-6073	3593-4593	4938-5838	6238-8488	
	Forward tilt	α	°	3		3	3		
	Backward tilt	β	°	8		6	6		
	Fork lock-in position centre-centre		mm	216 368 445 521	673 670				
	Maximum width	b_1	mm	1099	1188	1099	1099	1188	
	Total length	l_2	mm	1883		1883	1903		
	Load spacing	x	mm	355		355	375		
	Working aisle width	A_{st}	mm	(1000 x 1200) 3209 (1200 x 800) 3333			(1000 x 1200) 3228 (1200 x 800) 3353		
	Tyres	front		18 x 7-8	200/50-10	18 x 7-8	18 x 7-8	200/50-10	
	Tyres	rear		15 x 4 1/2-8					
	Track	front/rear	mm	932/168	990/168	932/168	932/168	990/168	
RX 20-14/15/16	Total length	l_2	mm	2061		2061	2081		
	Working aisle width	A_{st}	mm	(1000 x 1200) 3408 (1200 x 800) 3607			(1000 x 1200) 3428 (1200 x 800) 3627		
	Tyres	front/rear		18 x 7-8 / 16 x 6-8					
	Track	front/rear	mm	932/865	990/865	932/865	932/865	990/865	
	Nominal lift	h_3	mm	2830-4230	4730-5430	2875-3875	4170-5070	5470-7720	
	Overall height	h_1	mm	1960-2660	2910-3260	1960-2460	1960-2260	2460-3210	
Free lift	h_2/h_5	mm	150	150	1312-1812	1312-1612	1812-2562		
Maximum height	h_4	mm	3473-4873	5273-6073	3543-4543	4838-5738	6138-8388		
Forward tilt	α	°	3		3	3			
Backward tilt	β	°	8		6	6			
Maximum width	b_1	mm	1138	1188	1138	1138	1188		
Total length	l_2	mm	1983		1983	2003			
Load spacing	x	mm	355		355	375			
Working aisle width	A_{st}	mm	(1000 x 1200) 3309 (1200 x 800) 3433			(1000 x 1200) 3327 (1200 x 800) 3452			
Tyres	front/rear		200/50-10 / 16 x 6-8						
Track	front/rear	mm	942/168	990/168	942/168	942/168	990/168		
RX 20-18	Total length	l_2	mm	2108		2108	2128		
	Working aisle width	A_{st}	mm	(1000 x 1200) 3439 (1200 x 800) 3638			(1000 x 1200) 3459 (1200 x 800) 3658		
	Tyres	front/rear		200/50-10 / 16 x 6-8					
	Track	front/rear	mm	942/865	990/865	942/865	942/865	990/865	
RX 20-18	Nominal lift	h_3	mm	2750-4150	4630-5330	2870-3870	4165-5065	5665-7915	
	Overall height	h_1	mm	1960-2660	2910-3260	1960-2460	1960-2260	2460-3210	
	Free lift	h_2/h_5	mm	150	150	1405-1905	1405-1705	1905-2655	
	Maximum height	h_4	mm	3325-4725	5225-5925	3445-4445	4755-5655	6255-8505	
	Forward tilt	α	°	3		3	3		
	Backward tilt	β	°	8		6	6		
	Maximum width	b_1	mm	1138	1188	1138	1138	1188	
	Total length	l_2	mm	2092		2092	2114		
	Load spacing	x	mm	365		365	387		
	Working aisle width	A_{st}	mm	(1000 x 1200) 3418 (1200 x 800) 3542			(1000 x 1200) 3438 (1200 x 800) 3563		
	Tyres	front/rear		200/50-10 / 16 x 6-8					
	Track	front/rear	mm	942/168	990/168	942/168	942/168	990/168	
	RX 20-20	Total length	l_2	mm	2130		2130	2152	
		Working aisle width	A_{st}	mm	(1000 x 1200) 3473 (1200 x 800) 3672			(1000 x 1200) 3495 (1200 x 800) 3694	
Tyres		front/rear		200/50-10 / 16 x 6-8					
Track		front/rear	mm	942/865	990/865	942/865	942/865	990/865	
Total length		l_2	mm	2118		2118	2140		
Working aisle width		A_{st}	mm	(1000 x 1200) 3449 (1200 x 800) 3648			(1000 x 1200) 3471 (1200 x 800) 3670		
RX 20-20P/h	Tyres	front/rear		200/50-10 / 16 x 6-8					
	Track	front/rear	mm	942/865	990/865	942/865	942/865	990/865	

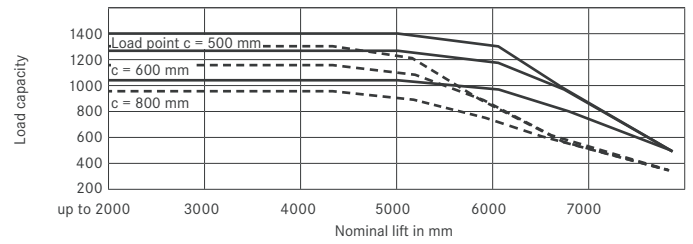
RX 20 Electric Forklift Truck

Basic Load Capacities

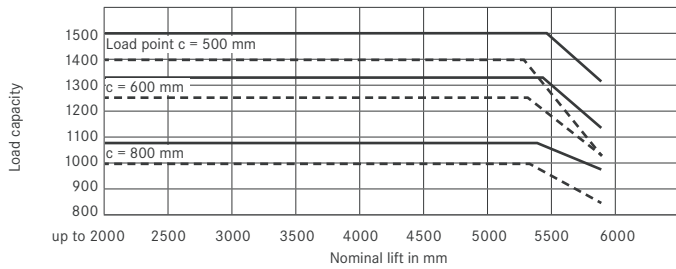
Load capacity RX 20-14 tele/NiHo mast



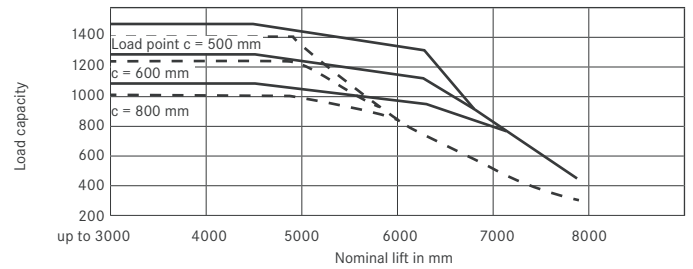
Load capacity RX 20-14 triplex mast



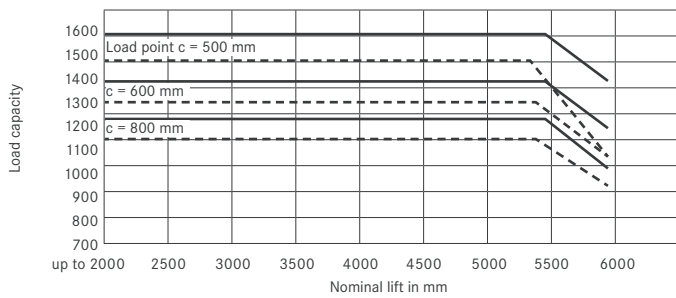
Load capacity RX 20-15 tele/NiHo mast



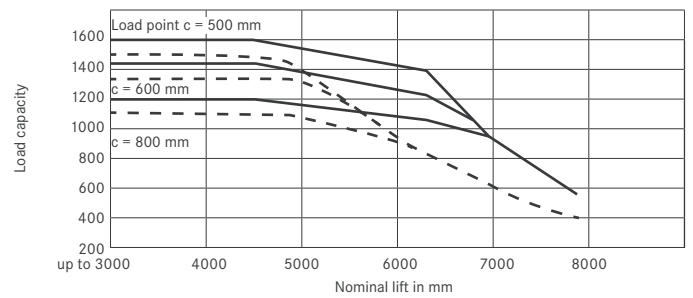
Load capacity RX 20-15 triplex mast



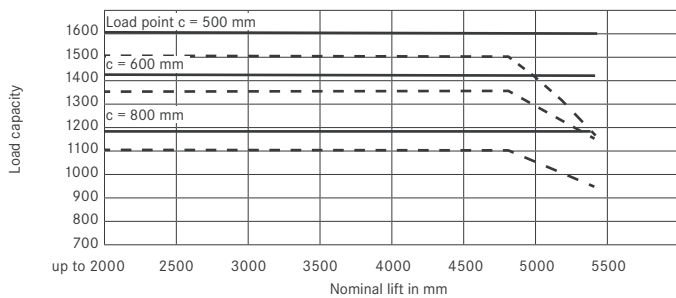
Load capacity RX 20-16 tele/NiHo mast



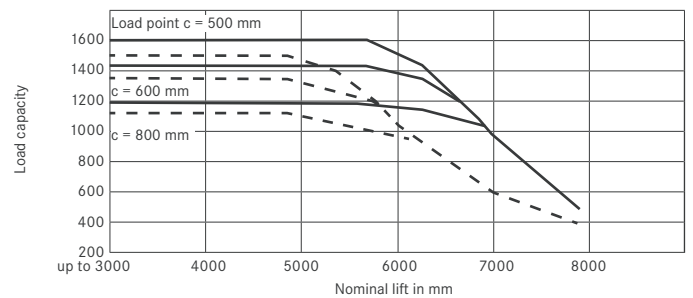
Load capacity RX 20-16 triplex mast



Load capacity RX 20-16P tele/NiHo mast



Load capacity RX 20-16P triplex mast



———— Fork carrier - - - - - Fitted lateral slider

Gradients, maximum distance that can be driven in 60 minutes.

Example: An RX 20-16 with a load of 1600 kg and a gradient of 16,7% can drive a distance of 247 m 10 times per hour.

	RX 20-16	RX 20-16 P	RX 20-18 P/h	RX 20-20 P/h
4.7%	20000	20000	20000	20000
10.5%	10783	10530	9222	8811
20.1%	4855	4792	3354	3026
25.5%	2766	2754	1895	1666
6.0%	10445	10400	9547	8933
13.0%	4559	4523	3255	2709
16.7%	2470	2456	1825	1504
21.2%	1477	1476	1010	292

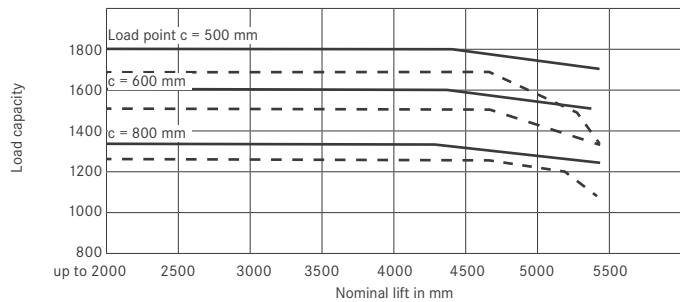
(Dry rough concrete surface = Coefficient of friction 0.80)

(Standard battery as indicated in data sheet)

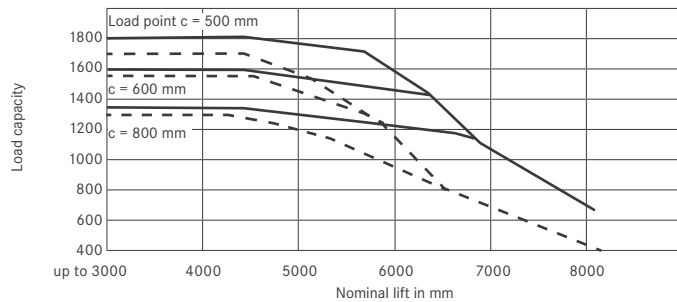
RX 20 Electric Forklift Truck

Basic Load Capacities

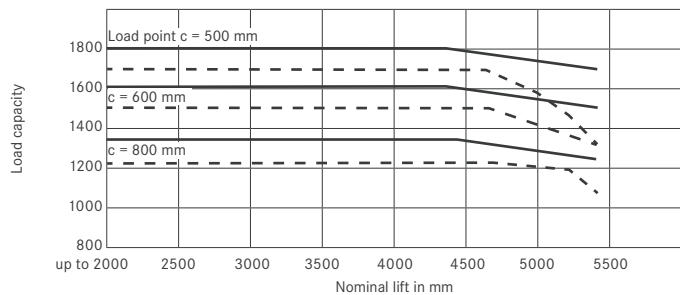
Load capacity RX 20-18 tele/NiHo mast



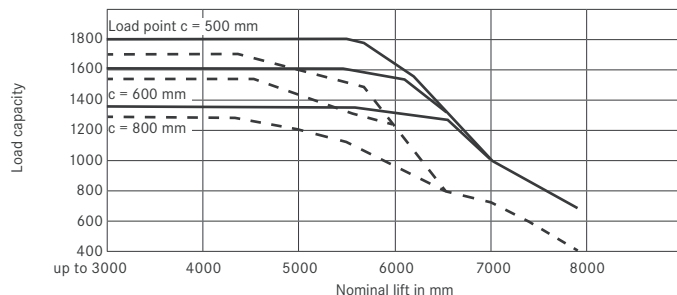
Load capacity RX 20-18 triplex mast



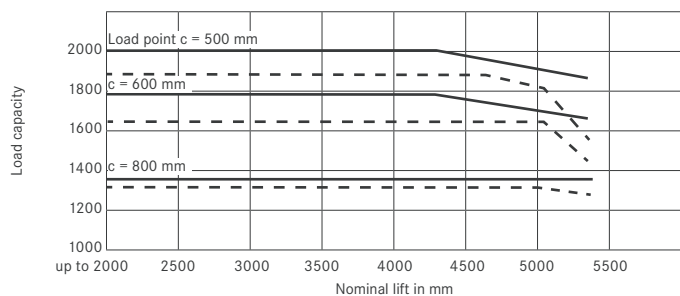
Load capacity RX 20-18P/h tele/NiHo mast



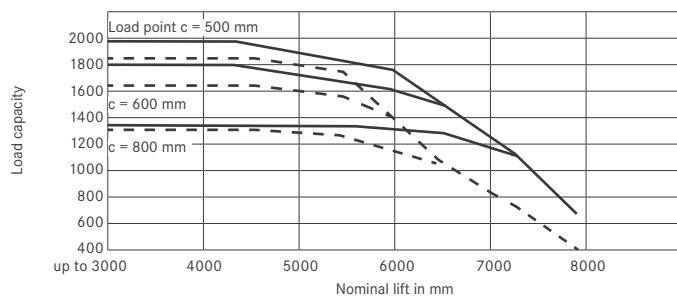
Load capacity RX 20-18P/h triplex mast



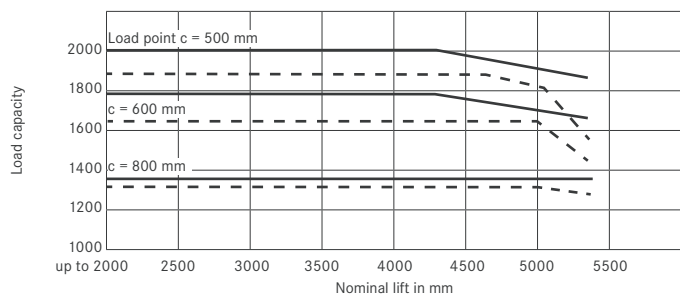
Load capacity RX 20-20 tele/NiHo mast



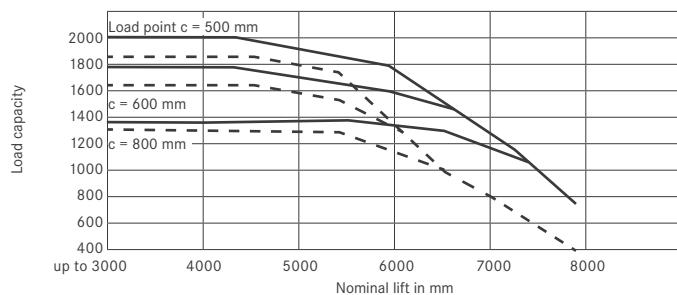
Load capacity RX 20-20 triplex mast



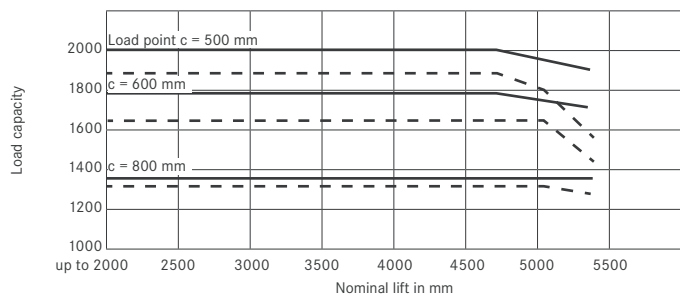
Load capacity RX 20-20P tele/NiHo mast



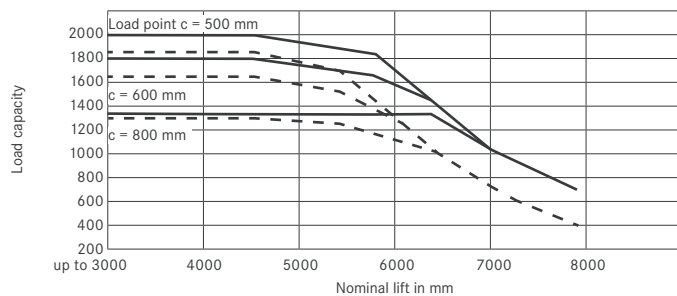
Load capacity RX 20-20P triplex mast



Load capacity RX 20-20P/h tele/NiHo mast



Load capacity RX 20-20P/h triplex mast



———— Fork carrier - - - - - Fitted lateral slider

RX 20 Electric Forklift Truck
Detailed Photos



Easy access to driver infos (e.g. display of energy consumption)



Joystick 4Plus with arm rest offers users comfort when working with accessory equipment



Optional LED lighting



Comfortable and high-quality driver's cab



Comprehensive range of custom-made equipment

RX 20 Electric Forklift Truck



Driver's cab for outdoor use



Quick and easy lateral battery access



RX 20 Electric Forklift Truck

Continuous operation

Easy availability: lateral battery change

Blue Q energy saving program

Display showing remaining power and current charge status



The best-selling forklift truck of the RX family – with over 50,000 units produced – is now better than ever: following a comprehensive overhaul, this smart electric forklift truck now sets new standards when it comes to the movement of heavy goods weighing between 1.4 and 2 tonnes. What's more, this vehicle has another advantage when it comes to energy usage: never before has it been easier to keep an eye on how much electricity you are using. A display shows you at a glance just how many hours of use the vehicle has left using

the current driving program. The RX 20 is a fantastic all-rounder for the fast transport of goods, both over short and long distances, and is ideally suited for combined indoor and outdoor use, making it the perfect forklift truck for a range of applications. This includes drinks, fruit and vegetable storage in the food and drinks industry, as well as applications in printing firms, freight carrier receipt and dispatch of goods and multi-shift operations in the car industry, e.g. for the provision of equipment on production lines.

Extensive equipment

Power

- Can lift up to two tonnes with a load centre of 500 mm
- Full power: maintenance-free rotary current drive with 48 Volt technology
- Move goods effectively: driving speeds of up to 20 km/h
- Enough power for multiple-shift use: high battery capacity and lateral battery change
- Perfect performance control: display shows truck's remaining power and current charge status

Precision

- Choose from various driving programs: select maximum turnaround or maximum efficiency
- Adjust to suit every task: speed, acceleration and braking can all be individually set
- Sensitive operation and smooth lifting speed control: state-of-the-art proportional valve technology and intuitive single-pedal operation
- Precise load handling: driver's seat and steering column set to one side giving optimal view past loads

Ergonomics

- Spacious, comfortable driver's cab that can be individually set up and offering numerous storage compartments
- Even greater comfort: optional premium driver's seat for perfect seat ergonomics

- Feel at home: standard, easy-to-use operating concept across the whole RX product line
- Comfortable: simple and safe entry and exit
- Choose from a range of individual control options: multi-lever, mini-lever, Fingertip or Joystick 4Plus

Compactness

- Ideal for use in small spaces: compact vehicle dimensions and extreme manoeuvrability allow for operation in narrow aisles
- Narrow truck frames enable efficient block forklifting

Safety

- Perfect all-round safety: large viewing window allows vision on all sides, including the overhead guard
- Optimum levels of safety thanks to vehicle's low centre of gravity
- Outstanding driving stability when turning

Environmental Responsibility

- Low operational costs: low energy consumption and long maintenance intervals (1000 operating hours)
- Emission-free drive
- Blue-Q efficiency mode allows energy savings of up to 20 percent at the press of a button with no loss of performance
- Over 95 percent of all installed materials are recyclable

RX 20 Electric Forklift Truck

Equipment Variants

	RX 20-14/-15/-16/-18/-20	RX 20-16P/-20P	RX 20-18P/h/-20P/h
Driver's cab	Operating costs kept low thanks to low energy consumption in all operating cycles and long operating intervals	●	●
	Dual-pedal control	○	○
	Weather-protected, canvas or full cab	○	○
	Drive-in overhead guard with makrolon roof	○	○
	Driver cab suitable for container loading (height: approx. 2154 mm)	○	○
	Tinted front windscreen, rear and roof windows made of either green-tinted or makrolon laminated safety glass, plus windscreen wiper and wash system	○	○
	Built-in storage and drink holder	●	●
	Splash-proof operating unit featuring display and function buttons	●	●
	Pad with clipboard (removable)	○	○
	Grammer MSG 65 leatherette cover	●	●
	Textile cover, airsprung, leatherette cover, lumbar support, height-adjustable back extension, heated seat	○	○
	Swivel seat can be rotated 20 degrees to the right	○	○
	Grab handle on protected roof	●	●
	Horizontal spring plate for driver's seat to minimise human vibrations	○	○
	Document pocket on the seat back	○	○
	Roof liner with interior lighting	○	○
	Radio/MP3 player with USB connection	○	○
	Protective sunshade and sun blind	○	○
	Electrical heating 1500 W incl. defrosting blaster	○	○
	Adjustable roof window for instant cabin ventilation	○	○
Cold storage version, display and hydraulic oil can be used up to -30 degrees	○	○	
Mast	Free view mast available in tele, NiHo and triplex versions	○	○
	Load backrest	○	○
	Mast vertical position	○	○
	Hydraulic accumulator in the lifting cylinder to attenuate thrust seats in the hydraulic system	○	○
	Bellows protect the tilt cylinder from dust and moisture	○	○
	Stroke shut-off via push button	○	○
	Fork wear protection	○	○
Tyres	Superelastic, single tyres, SIT system	●	●
	Superelastic, single tyres, natural colours, SIT system	○	○
Hydraulics	Noise-optimised hydraulic pump	●	●
	Proportional valve technology for especially sensitive movements	●	●
	Individual parametrisation options for hydraulic functions	○	○
	Multi-lever operation	●	●
	Mini-lever with armrest, 2, 3 or 4 levers, touch or joystick	○	○
Drives	5 driving programs	●	●
	Blue-Q energy saving mode	●	●
	Display showing energy consumption and remaining driving time based on current charge	●	●
	Maintenance-free drives for driving, steering and lifting; components enclosed to protect against dust and moisture	●	●
Brake	Operating hours counter only operational with drive and lifting motor	●	●
	Wear-free disc brakes that run in an oil bath	●	●
	Energy recovery when braking	●	●
	Mechanical parking brake	●	●
Safety	Electromechanical parking brake	○	○
	Low centre of gravity and steering axle with high self-aligning bearing for optimum levels of safety	●	●
	Protective grille roof	○	○
	EasyBelt restraint system for quick and safe fastening and unfastening	○	○
	Sauermann restraint system model HRS-E/ERS or IWS restraint system with left-located strap opening	○	○
	Headlights and LED lighting performance	○	○
	Driver-adjusted speed limiter	●	●
	STILL Safety Light warning device, illuminated blue	○	○
	Assistance system (ATC - Assistance Truck Control): safe exit/parking and seat belt control	○	○
	Assistance system (ATC - Assistance Truck Control): speed limiter controlled by steering angle	○	○
	Assistance system (ATC - Assistance Truck Control): speed limited when fork carrier is raised	○	○
	Load measuring with ±2% precision	○	○
	Panoramic mirror	○	○
Direction can be changed both left- and right-handed via mini-console	○	○	
FleetManager: access authorisation, shock detection, reports	○	○	

● Standard ○ Option — Not available



STILL Materials Handling Ltd
Aston Way
Leyland Preston
PR26 7UX
Tel.: +44 (0)845 603 6827
Fax: +44 (0)1772 454668

STILL Materials Handling Ltd
19 Hennock Road
Marsh Barton Trading Estate
Exeter
EX2 8RU
Tel.: +44 (0)1392 435151
Fax: +44 (0)1392 824328
info@still.co.uk
For further information please visit:
www.still.co.uk



STILL is certified in the following areas: Quality management, occupational safety, environmental protection and energy management.



first in intralogistics